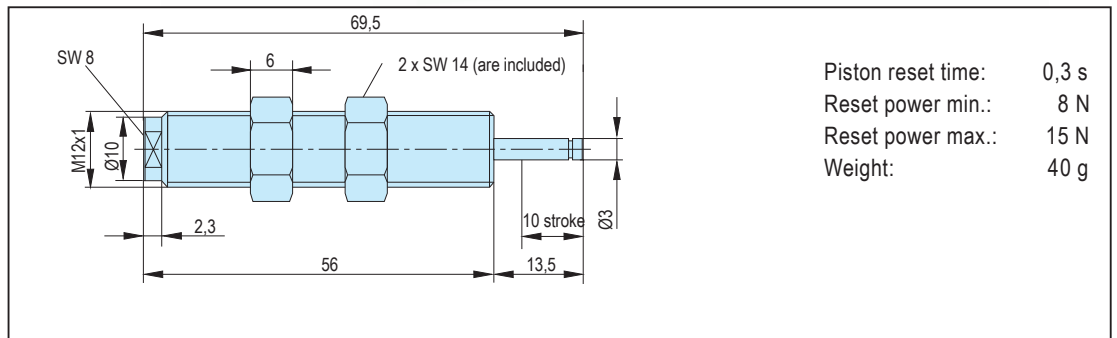


M12x 1

Stroke 10mm

180%

ZIMMER INDUSTRIAL-SHOCK ABSORBER
UP TO **1,8** -TIMES OF ENERGY ABSORPTION



Piston reset time: 0,3 s
Reset power min.: 8 N
Reset power max.: 15 N
Weight: 40 g

Power Stop

NEW

construction size/ order number	energy absorption/ per stroke Nm	energy absorption/ per hour Nm/h	stroke mm	impact speed		actual mass*	
				min m/s	max	max kg	min
M12x1W	7	13.000	10	2,0	5,0	3,5	0,6
M12x1S	16	30.000	10	2,0	5,0	8	1
M12x1M	16	30.000	10	1,2	2,2	22	7
M12x1H	16	30.000	10	0,2	1,4	800	16

*Actual mass as comparative value to conventional industrial shock absorber

Asseccories

